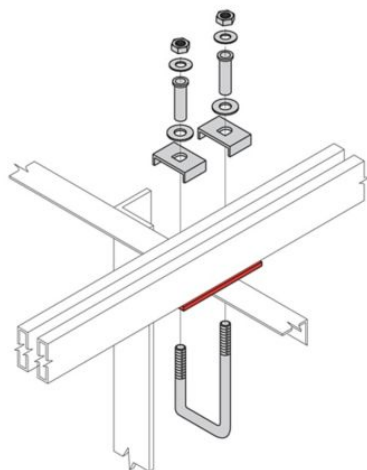


Eaton SB2528D

Catalog Number: SB2528D

Eaton auxiliary support kit, Pad - Polyester fiberglass, V-bolts, framing clips and hardware - Steel, Pad, V-bolt, framing clips, sleeve kits and hardware, Includes pad - Red, J-Bolts and hardware - Yellow Zinc, Top angle isolation kit



General specifications

Product Name	Catalog Number
Eaton auxiliary support kit	SB2528D
UPC	Product Length/Depth
799038021292	1.5 in
Product Height	Product Width
2 in	0.375 in
Product Weight	Certifications
0.76 lb	Not Applicable

Product specifications

Color

Red

Model

Top angle isolation kit

Material

Polyester fiberglass

Finish

Yellow zinc chromate

Resources

Catalogs

[auxillary supports](#)

Specifications and datasheets

[Eaton Specification Sheet - SB2528D](#)



Eaton Corporation plc
Eaton House
30 Pembroke Road
Dublin 4, Ireland
Eaton.com
© 2023 Eaton. All Rights Reserved.

Eaton is a registered trademark.

All other trademarks are property of their respective owners.



[Eaton.com/socialmedia](https://www.eaton.com/socialmedia)